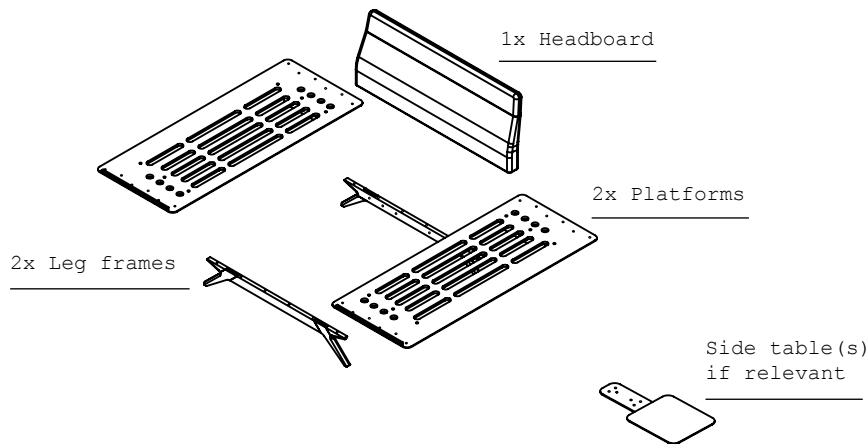


ASSEMBLY INSTRUCTIONS

HEPBURN BED

PARTS



HARDWARE

- 8-10 black bolts for headboard (depending on bed size)
- 8 silver bolts
- 8 black bolts per side table (if relevant)

YOU WILL NEED

- 6mm and 5mm heavy duty Allen Keys
- The help of a friend

NOTES

NOTE 1: Be certain that all assembly is carried out on a flat and stable surface. This will ensure a good final result. Reverse the steps to disassemble the piece.

NOTE 2: Your furniture arrives packed in numerous layers that protect it during transport. It is important that you remove the packaging carefully to avoid damaging your furniture. Refer to our information sheet "Unpacking Your Furniture" for further details.

NOTE 3: Great care is required when assembling our products . Use blankets to soften the assembly surface - hard surfaces such as wood or stone flooring may damage the furniture if in direct contact.

NOTE 4: We advise that assembly and disassembly of De La Espada furniture is undertaken by a minimum of 2 people.

NOTE 5: When screwing in bolts, tighten well, but be sure NOT TO OVERTIGHTEN. This can cause the thread to strip thus resulting in A poor connection.

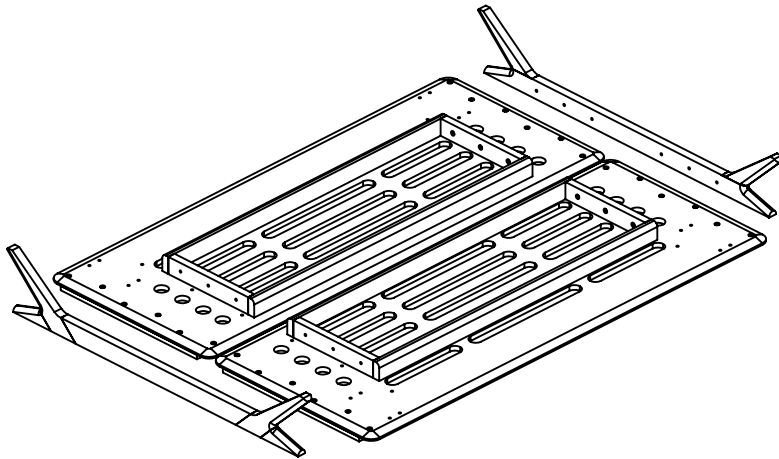
NOTE 6: All mating parts are numbered so they correspond to the appropriate part around the frame of the bed. you will ensure the best possible fit if all parts are mated with the corresponding numbered parts. While you work, be sure all connections are flush with no gaps.

O
1
M
A
T
T
H
E
W
H
I
L
T
O
N

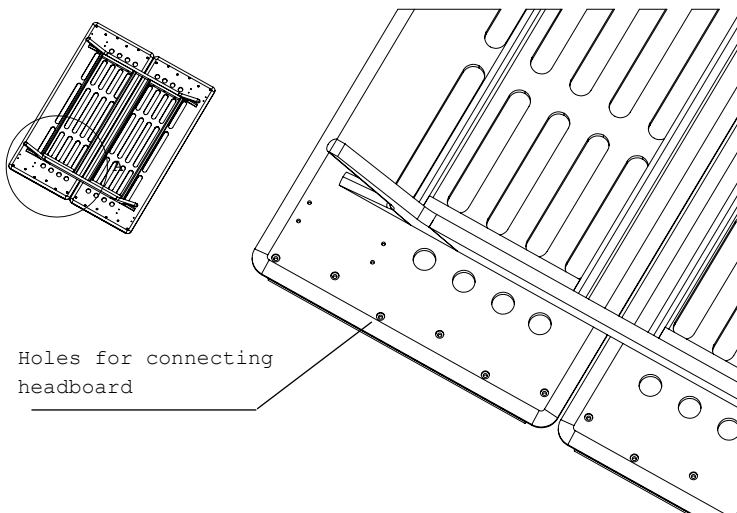
ASSEMBLY INSTRUCTIONS CONTINUED
HEPBURN BED

1. DETERMINE CORRECT ORIENTATION OF PARTS

a) Unpack components and lay them out so they are in the correct orientation. Check for number markings on platforms and leg bases.



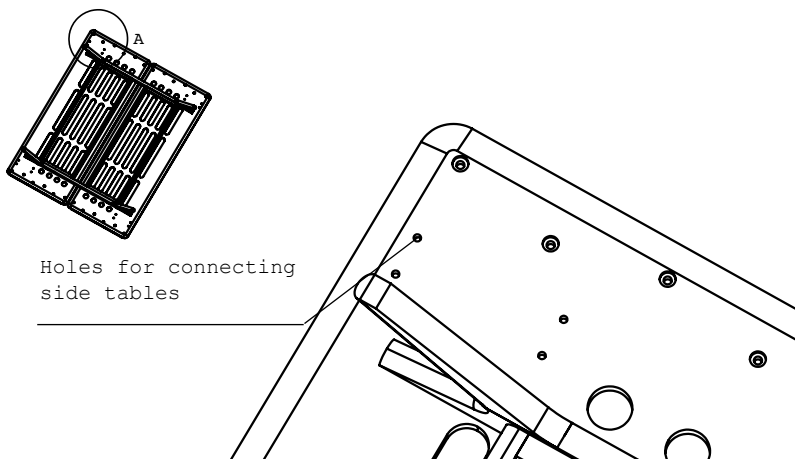
b) Determine the headboard end of platforms by locating the holes where the headboard connects. make sure the headboard is oriented in desired direction.



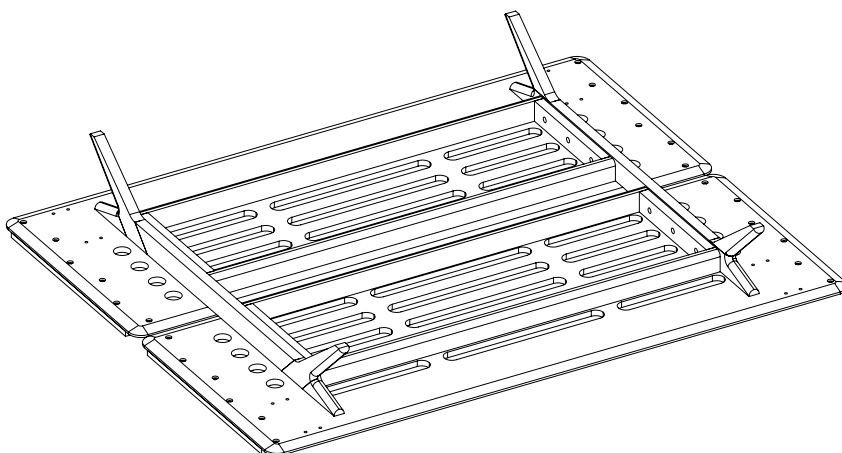
O
2
M
A
T
T
H
E
W
H
I
L
T
O
N

ASSEMBLY INSTRUCTIONS CONTINUED
HEPBURN BED

c) Determine the outer edge of the bed by locating the four small screw holes shown below.



d) Place platforms 1 and 2 side by side so the number markings are facing up. Insert wooden dowels on leg frames to the corresponding holes in the platform (1 matches to 1, etc). The legs will sit across the two panels.

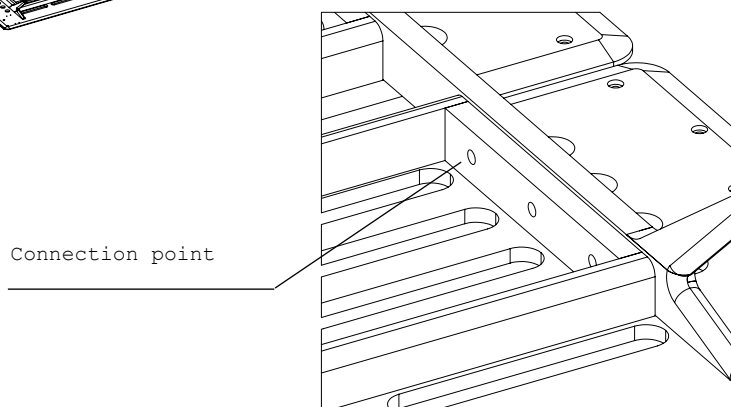
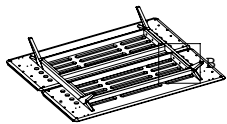


O
3
M
A
T
T
H
E
W
H
I
L
T
O
N

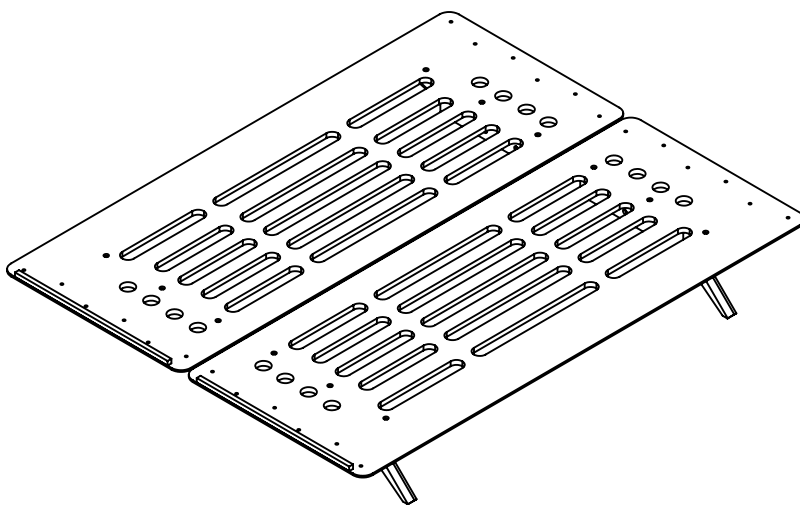
ASSEMBLY INSTRUCTIONS CONTINUED

HEPBURN BED

e) Secure the leg frames to the platform by slotting the silver bolts in place and tightening with a 6mm Allen Key. Tighten firmly but do NOT overtighten



f) Once both leg frames are attached securely to the platform, flip the bed over into its natural position with the help of a friend.

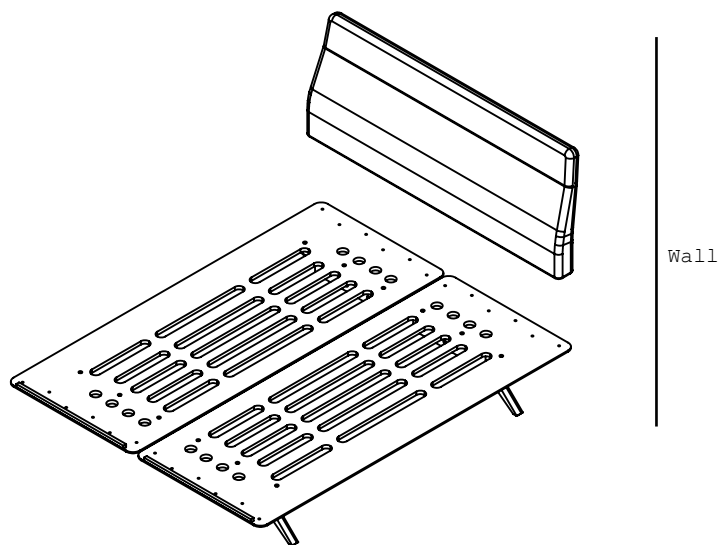


O
4
M
A
T
T
H
E
W
H
I
L
T
O
N

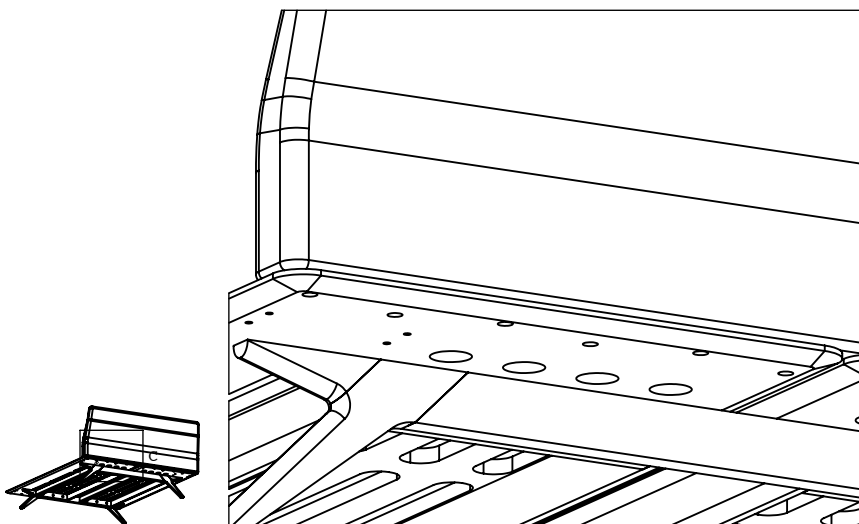
ASSEMBLY INSTRUCTIONS CONTINUED
HEPBURN BED

2) ATTACH THE HEADBOARD

a) Determine the correct orientation of the headboard by ensuring the flatest face is pointing toward the wall behind.



b) Slot the black bolts into the provided holes and tighten using a 5mm Allen Key. Be sure to tighten firmly without over-tightening.



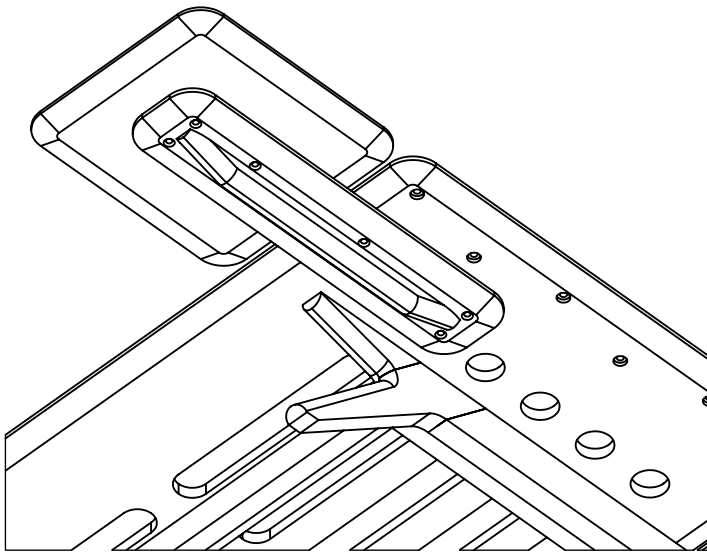
0
5
M
A
T
T
H
E
W
H
I
L
T
O
N

ASSEMBLY INSTRUCTIONS CONTINUED

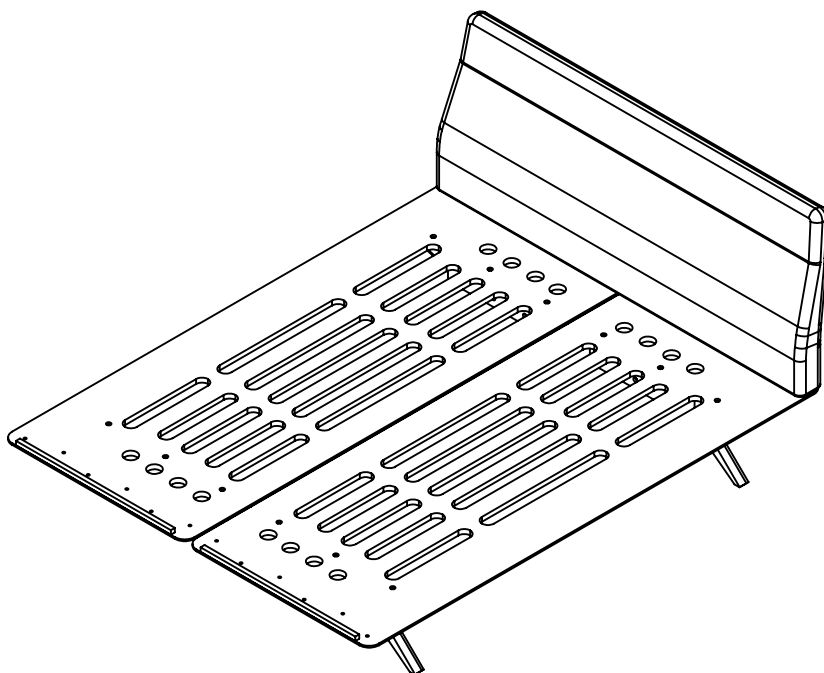
HEPBURN BED

3) ATTACH THE SIDE TABLE(S) IF RELEVANT

a) Once the bed is fully assembled, you may attach the side tables. Slot the black bolts into the pre-drilled holes on the underside of the platform and tighten using a 5mm Allen Key. Be sure to tighten firmly without overtightening.



The bed assembly is now complete and the bed is ready to receive the mattress.



O
6
M
A
T
T
H
E
W
H
I
L
T
O
N